

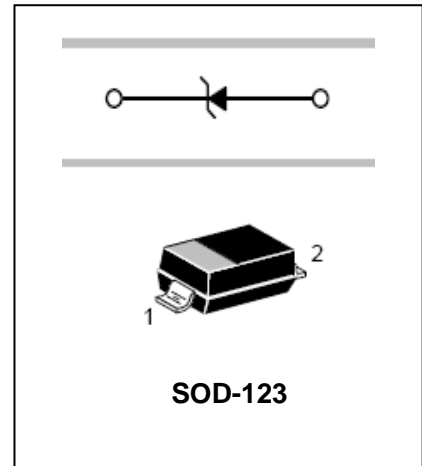


## Single Line TVS Diode

## SD24W

### FEATURES

- Suitable replacement for MLV'S ESD protection
- Low leakage current
- Low clamping voltage
- Working voltage:24V



### APPLICATIONS

- Single line TVS diode

### ORDERING INFORMATION

Type No.	Marking	Package Code
SD24W	8U	SOD-123

### MAXIMUM RATING @ Ta=25°C unless otherwise specified

Parameter	Symbol	Limits	Unit
Peak pulse power dissipation( $t_p=8/20\mu s$ )	$P_{pk}$	500	W
Operating temperature	$T_L$	-55 to+150	°C
Storage temperature	$T_{STG}$	-55 to+150	°C

### ELECTRICAL CHARACTERISTICS @ Ta=25°C unless otherwise specified

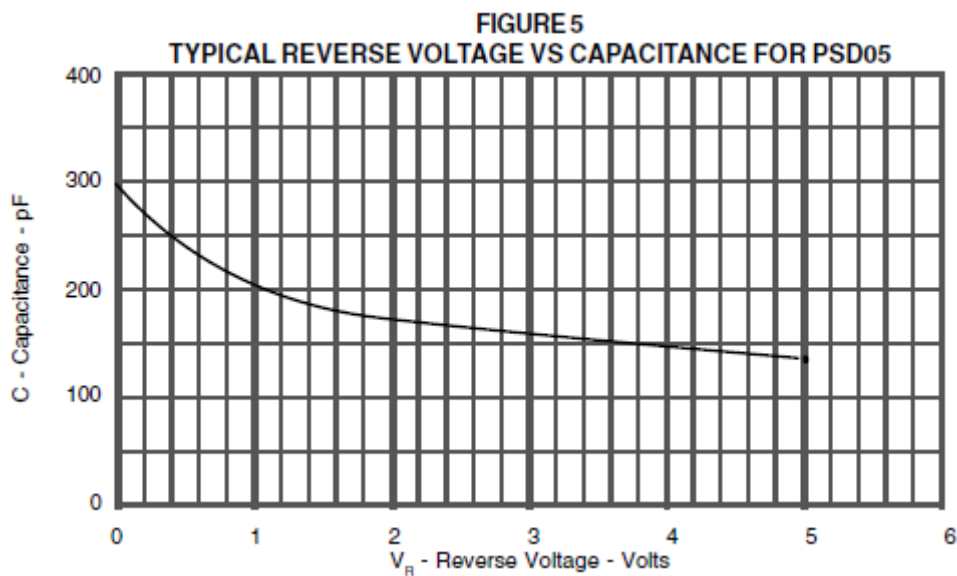
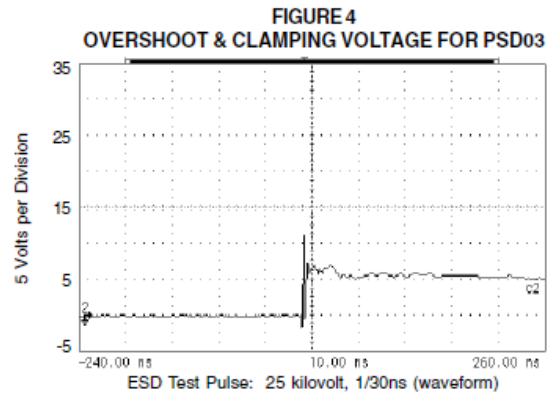
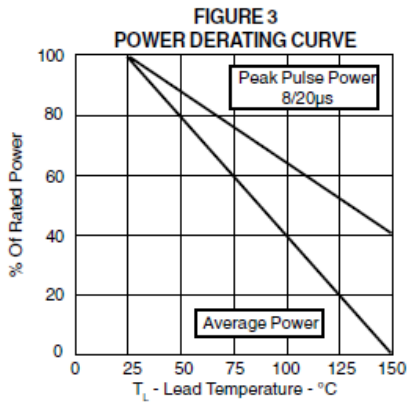
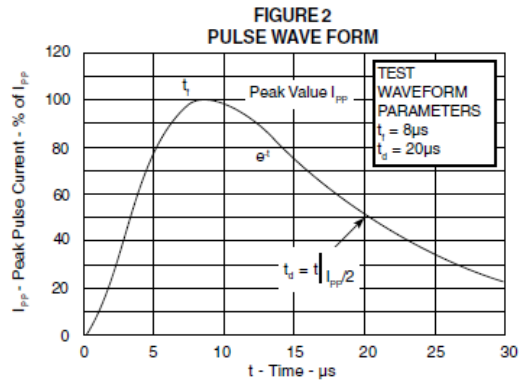
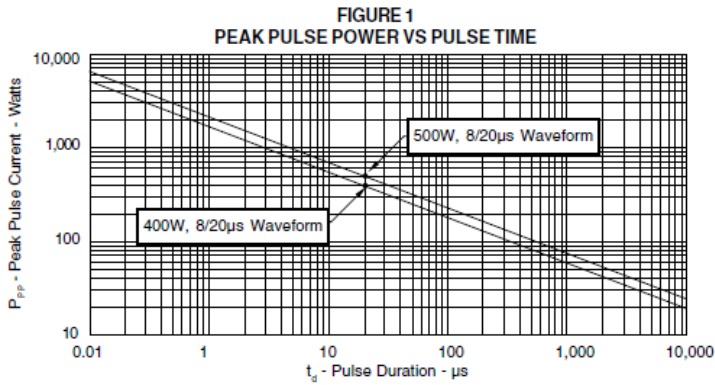
Parameter	Symbol	Conditions	Min	Typ	Max	Units
Reverse stand-off voltage	$V_{RWM}$				24	V
Reverse breakdown voltage	$V_{BR}$	$I_t=1mA$	26.7			V
Reverse leakage current	$I_R$	$V_{RWM}=24V, T=25^\circ C$			1	$\mu A$
Clamping voltage	$V_C$	$I_{PP}=1A, t_p=8/20\mu s$			43	V
Clamping voltage	$V_C$	$I_{PP}=12A, t_p=8/20\mu s$			49	V
Junction capacitance	$C_j$	$V_R=0V, f=1MHz$			88	pF



Single Line TVS Diode

SD24W

TYPICAL CHARACTERISTICS @ Ta=25°C unless otherwise specified



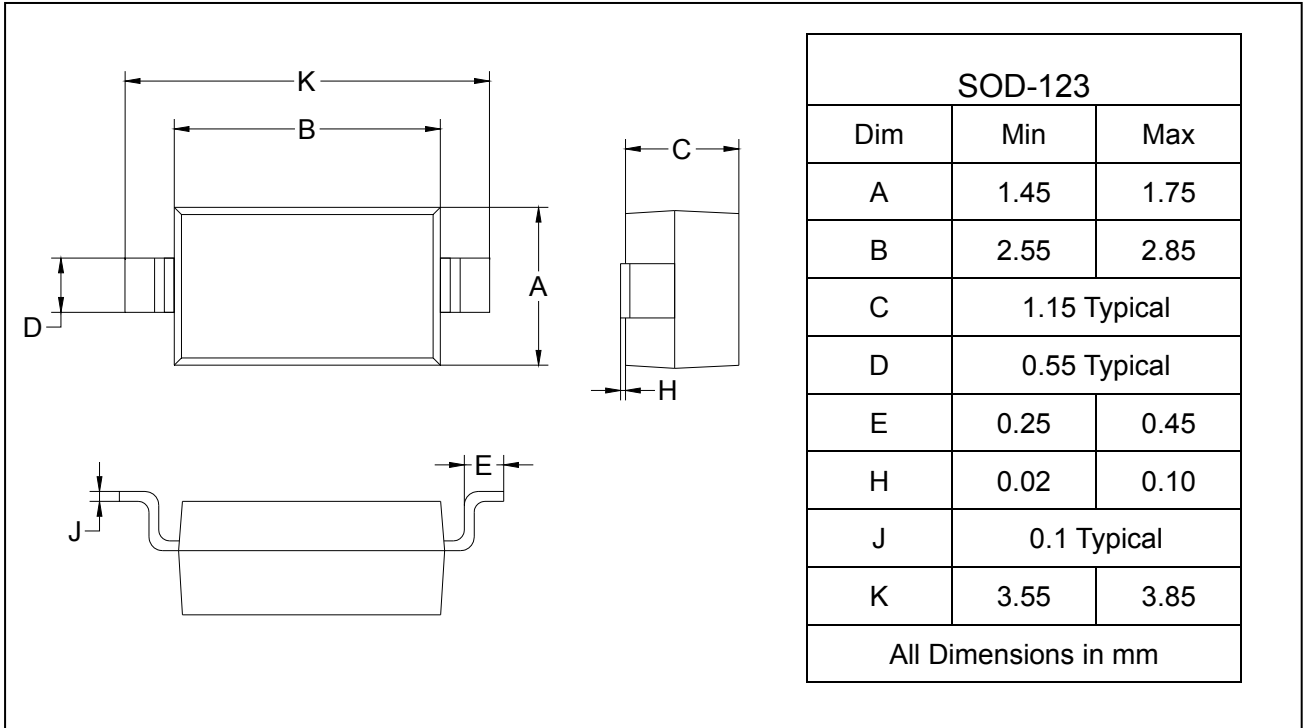
**Single Line TVS Diode**

**SD24W**

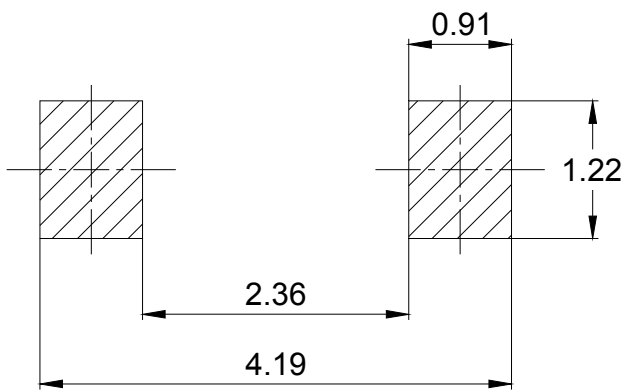
**PACKAGE OUTLINE**

Plastic surface mounted package

SOD-123



**SOLDERING FOOTPRINT**



Unit: mm

**PACKAGE INFORMATION**

Device	Package	Shipping
SD24W	SOD-123	3000/Tape&Reel